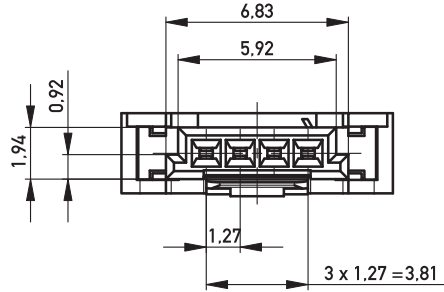
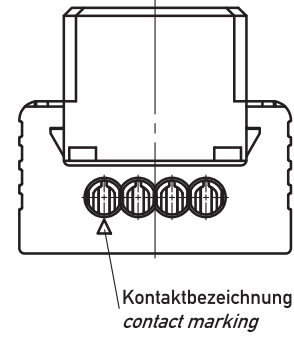
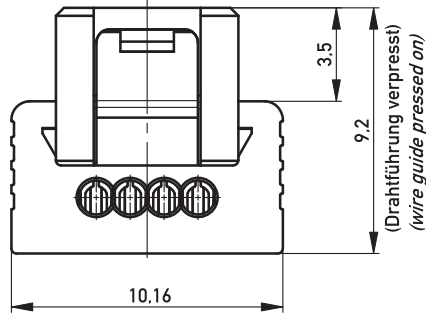
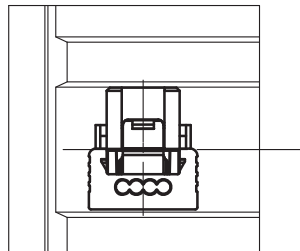


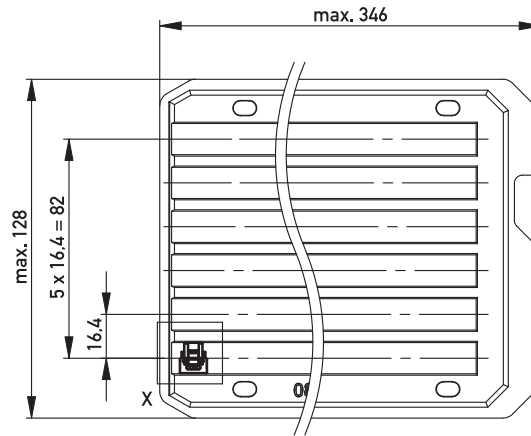
Flachbandkabelführung: rot  
wire guide: red



Einzelheit X - detail X  
M 2:1



Verpackt in Tray - tray packaging  
Verpackungseinheit 180 Stück - packaging unit 180 pcs



Information: für Einzeladern AWG 22 for single conductors AWG 22 nur mit Hilfsmittel lösbar only with tool unlockable  All rights reserved. Only for Information. To ensure that this is the latest version of this drawing, please contact one of the ERNI companies before using.	Tolerances   All Dimensions in mm	Scale	5:1
		Designation  <b>1,27 SRC P SKV, 4-polig</b> <b>1,27 SRC P IDC, 4-pin</b>	
www.ERNI.com		<b>100100250001</b>	
E01	22.01.2009	Class	SRCP
Index	Date		K A3

Copyright by ERNI GmbH  
Proprietary notice pursuant to ISO 14001 to be observed.